



HIGH PRECISION CERAMIC
MACHINING CENTER

VX

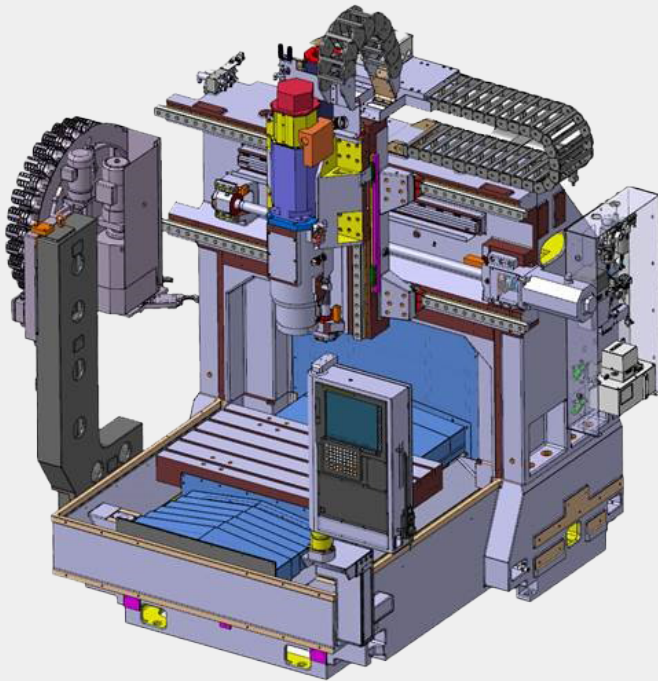
6500C



DN SOLUTIONS

BASIC STRUCTURE

VX6500C has the Bridge type structure for high-performance, high-accuracy machining.



Travel distance

X axis **1050** mm 41.3 inch

Y axis **650** mm 25.6 inch

Z axis **550** mm 21.7 inch

Rapid traverse rate

X axis **30** m/min 1181.1 ipm

Y axis **30** m/min 1181.1 ipm

Z axis **30** m/min 1181.1 ipm

SPINDLE

The new spindle provides low noise and high precision performance.

Max. spindle speed

12000 r/min

20000, 30000, 40000 r/min option

Max. Spindle power

18.5/11 kW

22/11, 18.5/13, 5.5/3.7 kW option

24.8/14.8 Hp

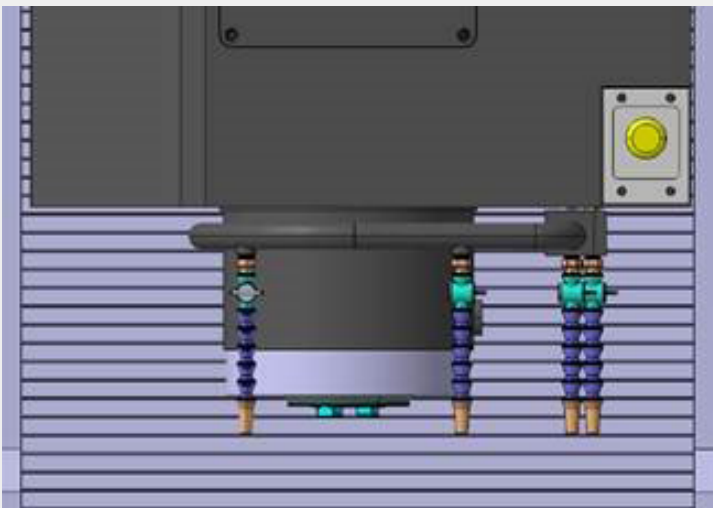
{29.5/14.8, 24.8/17.4, 7.4/5.0}

Max. spindle torque

117.8 N·m

60, 5.9, 3.5 N·m option

86.9 ft-lbs {44.3, 4.4, 2.6}



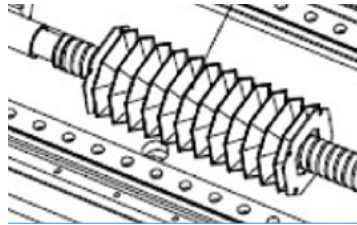
CERAMIC PACKAGE

Various protection package from ceramic dust which can effect to reliability and accuracy of axis and spindle.

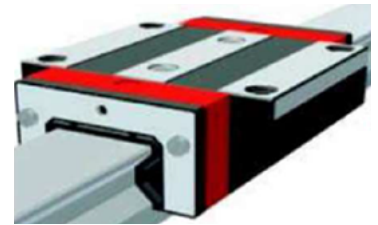
Protective device applied for outstanding linear axis accuracy of feed drive system.

VX 6500C is capable of processing various high hardness/high heat resistance ceramic materials such as Si (silicon), SiC (silicon carbide), aluminum oxide, and Quartz.

1. Ball screw cover



2. LM guide double wiper

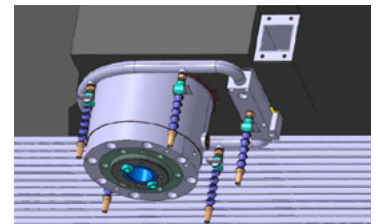


3. Y axis cover



4. Ring type flood coolant

Since coolant is sprayed from various directions, it is effective in removing sludge.

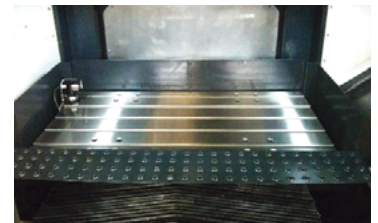


5. Oil lubrication



6. Table cover option

Sludge can be piled up in a set range and is easy to clean.



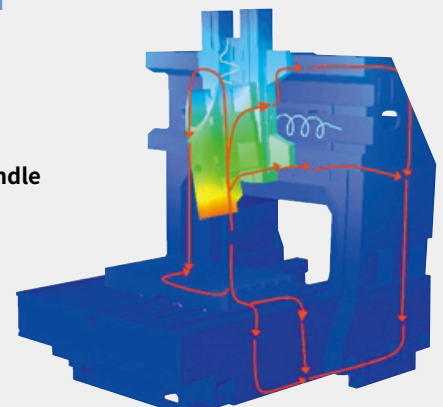
Realizes high-quality, high-precision machining with smoothing thermal displacement compensation of the spindle and structure.

Compensation of static displacement of spindle

Compensates in tool position caused by expansion of the spindle shaft at high speed.

Structure thermal displacement compensation

Compensates irregular deflection or expansion of the structure due to ambient temperature using a multiple temperature sensors.





dn-solutions.com

Head Office

22F T Tower, 30, Sowol-ro 2-gil
Jung-gu, Seoul, Korea, 04637
Tel: +82-2-6972-0370/0350
Fax: +82-2-6972-0400

DN Solutions America

19A Chapin Road, Pine Brook
New Jersey 07058, United States
Tel: +1-973-618-2500
Fax: +1-973-618-2501

DN Solutions Europe

Emdener Strasse 24, D-41540
Dormagen, Germany
Tel: +49-2133-5067-100
Fax: +49-2133-5067-111

DN Solutions India

No.82, Jakkuar Village
Yelahanka Hobli, Bangalore-560064
Tel: + 91-80-2205-6900
E-mail: india@dncompany.com

DN Solutions China

Room 101,201,301, Building 39 Xinzhuan
Highway No.258 Songjiang District
China Shanghai (201612)
Tel: +86 21-5445-1155
Fax: +86 21-6405-1472

Sales inquiry

sales@dncompany.com

* For more details, please contact DN Solutions.

* Specifications and information contained within this catalogue may be changed without prior notice.